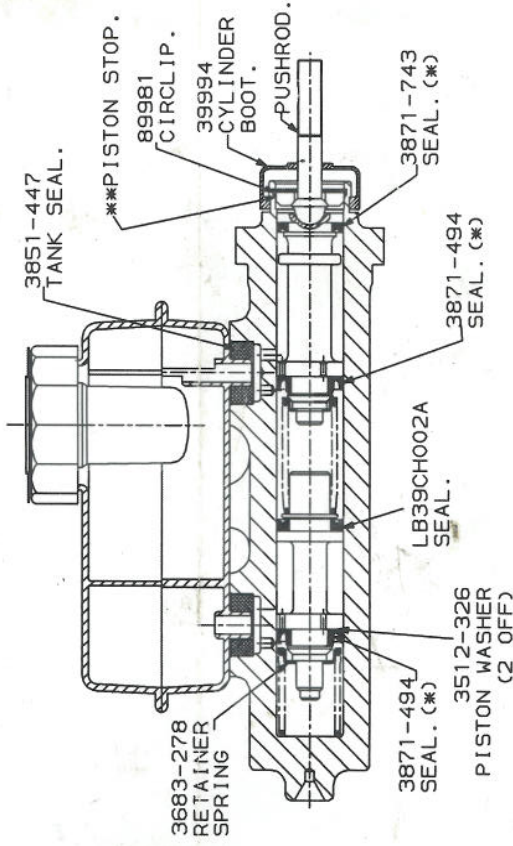


**CP4627-18RK**

The drawing below depicts individual components & part number information for replacing the internals of all CP4627 family master cylinders.

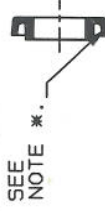
The CP4627-18 repair kit consists of all part numbers listed on the drawing.  
**Note:-** Lubricate all seals with a Dot 4 or Dot 5brake fluid or an approved equivalent prior to installation. **(Do not use a silicone based fluid)**



**NOTE.**

\* SEALS 3871-494 & 3871-743 I.D.No.'S ARE OBSCURED IN OUTER RIM OF RECESS. NOTE THAT 3871-494 HAS THE DEEPER RECESS.

\*\* PISTON STOP TO BE LOCATED FLUSH AND TRUE AGAINST PUSHRD SHOULDER PRIOR TO CIRCLIP LOCATION.



**SECTION THROUGH SEAL**

**AP RACING, WHEELER ROAD, COVENTRY, CV3 4LB, ENGLAND**  
**TEL: +44 (0)24 76639595 FAX: +44 (0)24 76 639559**  
 internet address: [www.apracing.com](http://www.apracing.com)  
 e-mail: [sales@apracing.co.uk](mailto:sales@apracing.co.uk)